

VL-4Se

4ch Simultaneous Quick Charger



Instruction Manual

Thank you for purchasing the VL-4Se. VL-4Se is a 4-channel simultaneous quick charger for V-Mount Lithium Ion batteries. Prior to using the charger, IDX recommends to read this Instruction Manual and keep this manual for future reference.

⚠ WARNING

May cause sudden serious injury and death

- Do not connect to an AC power source that exceeds the voltage specification stated on the unit.
- Use only with the compatible batteries listed in this manual.
- Do not short the contact pins with any metal object.
- Do not carry or store with metal equipment.
- Do not immerse in water.
- Do not attempt to open the outer casing or break apart.
- Do not subject the unit to extreme physical impact or pressure, or place any object across the terminals that could cause it to short.
- Do not attempt to use if damaged.
- Protect the power cord from any damage.
- When connecting a battery be sure to insert the battery into the battery socket or connector firmly.
- Do not use, put and storage the charger; near a steam and the place where has a possibility getting wet, with high humidity, dust and soot, in place which are expose to direct sunlight and extreme temperatures. Doing under these environments may cause damage, fire, electrical shock or other incidents.
- A short between positive terminal(+) and negative(-) may cause a fire, electrical shock or other incidents. Please make sure that the charging connector does not touch any metal parts when a battery is not attached.
- Please contact IDX or your local IDX representative for service and repairs.

⚠ CAUTION

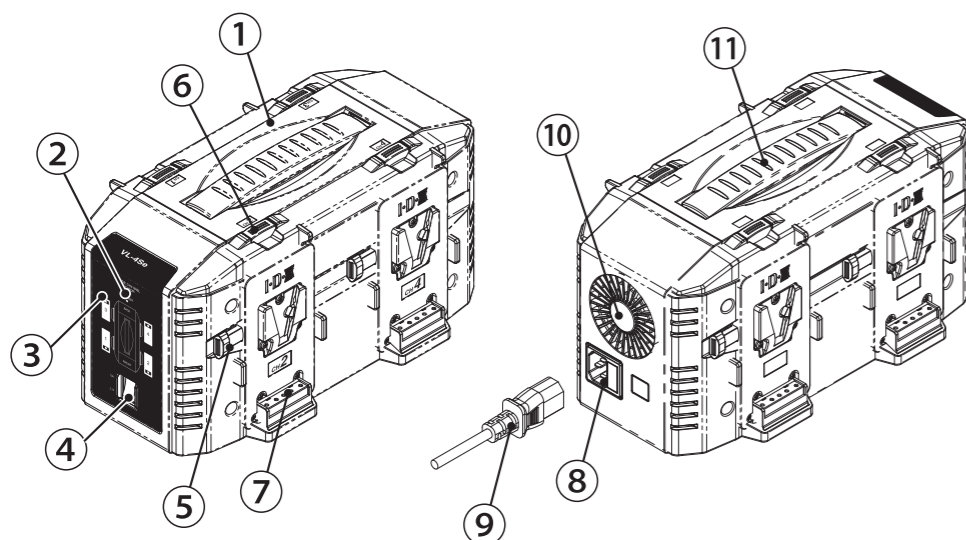
May cause injury or damage other equipment

- The unit should be used under the conditions listed in this manual.
- Do not expose the unit to extremely high temperatures.
- Use the approved power cord / appliance connector / plug conforming to the proper ratings (voltage, ampere) and safety regulations of each country if applicable.
- Keep the unit away from excessively dry or humid environments.
- Do not cover the ventilation holes & Waste heat fan.
- Please do not carry while stacked
- Stop charging immediately if the charging does not complete within the designated time.
- In case of abnormal smell, leak, color change or case deformity during use, turn the power off and unplug the cable from the socket to avoid possible injury.
- This is a class A product in a domestic environment this product may cause radio interference in which case the user may be required to take adequate measures.

Features

- Universal AC input for world-wide use.
- 4ch simultaneous quick charge.
- Auto safety & protection features.
- Recovery charge mode for low voltage batteries.
- Protection circuitry activates when a battery fault is detected.

Location and Function of Parts



- 1 Charger body
- 2 Power LED
- 3 Charge LED
- 4 Power Switch
- 5 Battery release button (Side)
- 6 Battery release button (Top)
- 7 Battery charge terminal
- 8 AC Inlet
- 9 Power cable
- 10 Waste heat fan
- 11 Handle

Operating Instructions

- 1 : Insert the power cable to the charger body before plugging into an AC outlet.
- 2 : Turn the Power sitch on. (Solid Amber)
- 3 : When the battery pack is mounted, a status LED will turn ON. (Solid Red)
If the condition of the battery is OK, charging will automatically start.
*Please mount the battery until the battery release button is firmly locked.
- 4 : Charging will automatically stop when the battery is fully charged. (Solid Green)
- 5 : When removing the battery from the charger, firmly press the release button while lifting the battery straight up.

- * For your safety, Do not carry the charger while the power turned-on/ the battery is attached.
- * The fan may be operated according to the operating temperature, even if the battery is not attached.

Safety Features

- <Prohibit low battery quick charge >
 - The charger starts pre-charging if the voltage of mounted battery is under.
- < Charging protection timer >
 - The charger stops charging automatically if the battery is not fully charged after the period of time from quick charging state.
- < Over voltage/ current protection >
 - The charger stops charging, if unusual voltage or current is detected from the battery.

Specifications

- Recommended batteries : IDX V-Mount Lithium Ion batteries
- Input voltage : AC100V-240V 50 / 60Hz Automatic
- Power consumption : MAX 220VA
- Operating temperature : 0 ~40°C / 32~ 104°F
- Operating humidity : 20%~90% RH
- Dimensions : approx. 156 (W)×153 (H)×288 (D) mm
approx. 6.14 (W)×6.0 (H)×11.3 (D) inches
- Weight : Charger body approx. 2.7kg / 5.95 lbs
- Charging method : Constant current / Constant voltage
- Charging output : 16.8V MAX 3A (Charging up to 3Ch)
MAX 2.7A (Charging up to 4Ch)
- Charge time standard :
For the latest charging time information, please visit our website
(<http://idxtek.com/charge-chart>)

Charge LED Indicator

- Light off : No battery
- Solid amber : Charging standby
- Solid red : Quick charge in progress
- Solid green : Fully charged
- Flashing amber :
Over voltage / current protection activated
Charging protection timer operated
- Flashing red :
Charger fault
Unusual temperature inside the charger is detected

Design and specifications are subject to change without notice.



Manufacturer : **IDX Company, Ltd.** 6-28-11 Shukugawara, Tama-ku, Kawasaki-shi, Kanagawa-ken, 214-0021 Japan
Tel : +81-44-850-8801 Fax : +81-44-850-8838 E-mail : idx.japan@idx.tv
Importer for EU : **IDX Technology Europe, Ltd.** Unit 9, Langley Park, Waterside Drive, Langley, Berkshire SL3 6AD, England
Tel : +44-1753-547692 Fax : +44-1753-546660 E-mail : idx.europe@idx.tv
Importer for USA : **IDX System Technology, Inc.** 2377 Crenshaw Blvd, Suite 160, Torrance, CA 90501 USA
Tel : +1-310-328-2850 Fax : +1-310-328-8202 E-mail : idx.usa@idx.tv

