

A-E241E Battery Mount Adaptor



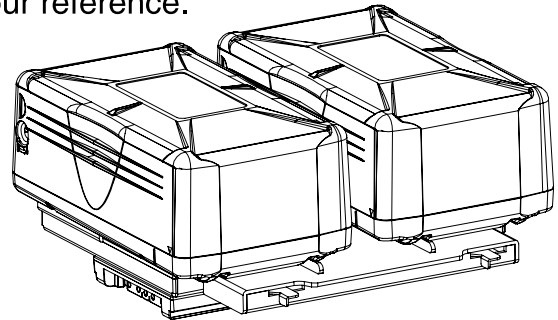
Instruction Manual

Thank you for purchasing the A-E241E. This Adaptor is designed to be used with RED and other high-power required camera in the production market.

Prior to using the A-E241E, IDX recommend to read this Instruction Manual on how to best use this Bracket and recommend to keep this manual for your reference.

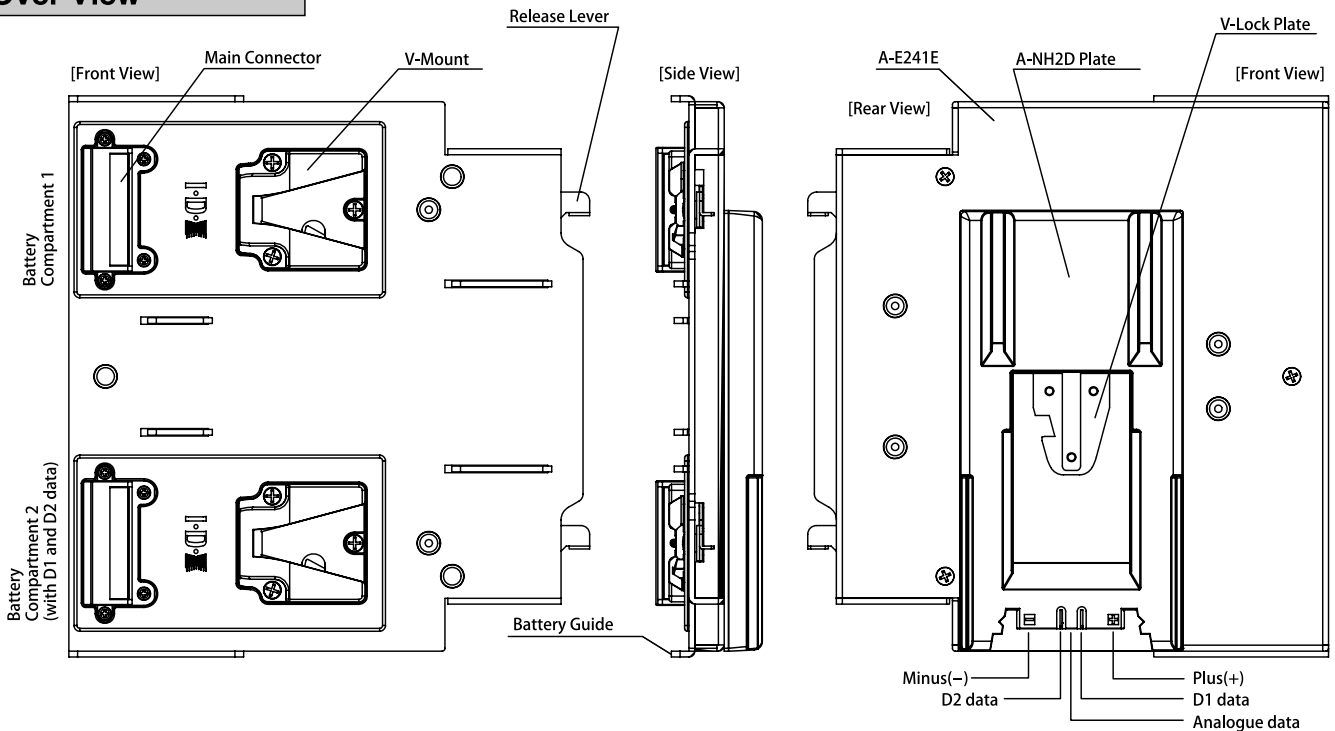
Features/Specifications

- Maximum of 272Wh can be load by using 2x ELITE battery.
- Digi-View 1 & 2 data can be monitor on camera EVF *1.
- Dimension: 190(W) x 175(H) x 30(D)mm
7.48(W)x 6.89(H)x 1.18 (D) inches.
- Weight: approx 680g / 1.5lbs.



*1) Battery compartment 1 is not ready for this feature

Over View



General Notes and Safety

- ⚠Warning: A-E241E is specially designed for IDX ENDURA battery therefore IDX is not guarantee to use other brand of battery.
: Please do not charge the battery by using A-E241E otherwise it may cause serious damage and /or fire on charger.

- Do not attempt to modify this unit. All work should be carried out by IDX authorized service personnel only.
- When connecting a battery or adaptor to the A-E241E, be sure connect firmly. If it is not attached properly, it may result in loss or damage to the unit or even injury to the user.
- If you need any inspection or repairs, please contact your IDX dealer or appropriate IDX office.

Design and specification are subject to change without notice.