

A-E2EX3



ENDURA Battery Adaptor

Instruction Manual

The IDX A-E2EX3 battery adaptor is designed exclusively for the use of IDX ENDURA System Lithium Ion batteries to power the Sony PMW-EX3 camcorder. Please utilize this instruction manual for guidance in mounting on your Sony PMW-EX3. If you have any additional questions, please contact the appropriate IDX office listed at the end of this sheet.

Features:

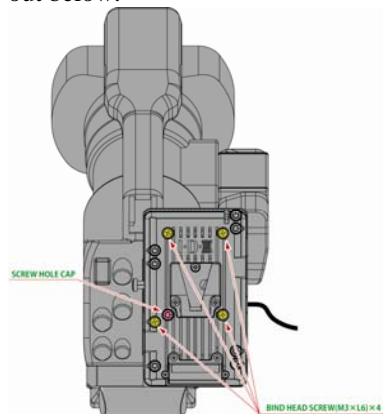
- Designed specifically for use with PMW-EX3 or PMW-EX30. A-E2EX3 adaptor attaches directly to the camcorder and incorporates an integral IDX V-Mount plate allowing direct mounting of any IDX ENDURA battery.
- Simple installation: Battery compartment of the A-E2EX3 fits into the battery pack receptacle of Sony PMW-EX3. It should firmly attach on back of the camcorder. Connect the DC power output cable to the DC-IN connector of the camcorder.
- A-E2EX3 has a D-Tap DC-Out connector that supplies power directly from the battery allowing the use of professional on-board camera lights such as IDX X5-Lite.
- A-E2EX3 can be used with PMW-EX30 XDCAM EX Memory Recorder.

Specifications:

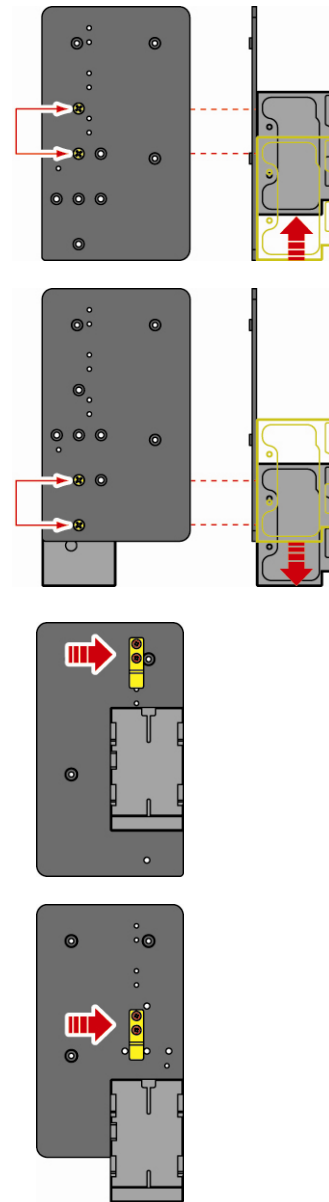
Dimensions: 3.65 (W) x 5.63 (H) x 2.70 (D) in.
Cable Length: Approx. 7 in.
Weight: 1.1 lbs.

How to adjust:

For instructions on how to adjust your A-E2EX3 adaptor follow the simple steps set out below.



1. Unscrew the four of M3x6 screws on the IDX plates.
2. Remove V-Mount Plate from Back Plate



3. Unscrew two of M3x12 Flat screws to release the battery compartment.
4. Move up/down and left/right the connection part to your preferred position.
5. Unscrew the two of M3x6 screws to release the hook part on back of the plate.
6. Move up/down the hook part to your preferred position.
7. Mount V-Mount plate on Back plate and screw down with four of M3x6